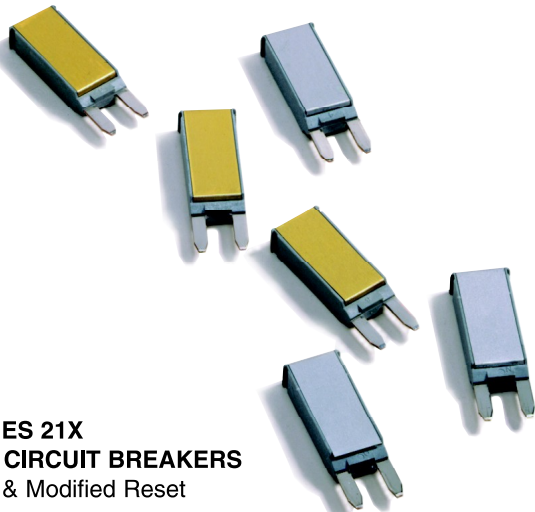


# SERIES 21X MINI CIRCUIT BREAKERS



**SERIES 21X  
MINI CIRCUIT BREAKERS**  
Auto & Modified Reset

## SPECIFICATIONS

### Single Pole Thermal Type Breakers

**Rating:** 5-30A; 14VDC.

**Interrupt Rating:** 150A @ 14VDC (5-10A versions); 225A @ 14VDC (15A version); 300A @ 14VDC (20A version); 450A @ 14VDC (25-30A versions).

**Operating Temperature Rating:** -40°F (-40°C) to 185°F (85°C).

**Storage Temperature Rating:** -40°F (-40°C) to 260°F (125°C).

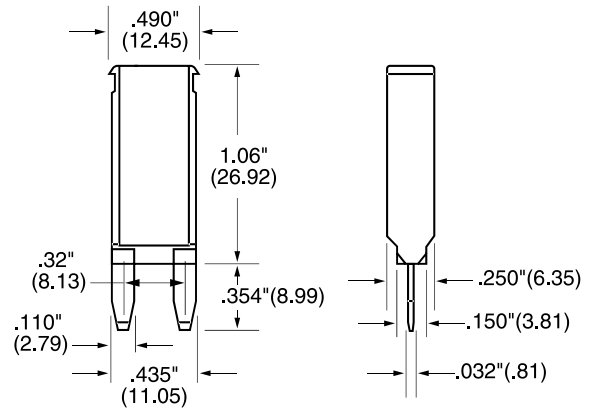
**Materials:** Grey UL-Rated 94V-0 thermoplastic housing with gold metal cover (Type I) or silver metal cover (Type II).

**Marking:** Standard marking includes amp/voltage ratings, part number, and date code. OCR marking is available.

**Termination:** Compatible with 280 Type fuse blocks using 0.32in. (8.1mm) centerline spacing.

**Compliances:** SAE J553 Type I and Type II Circuit Breakers.

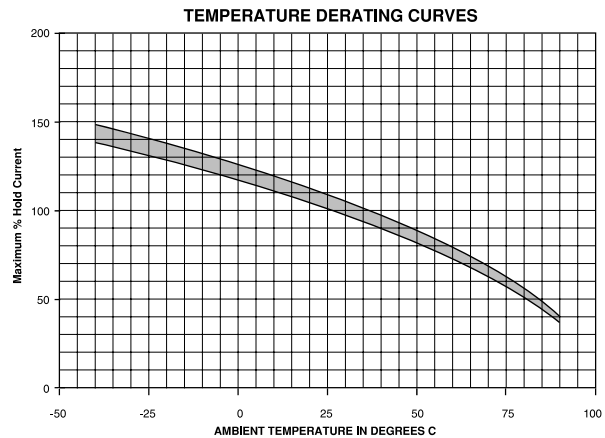
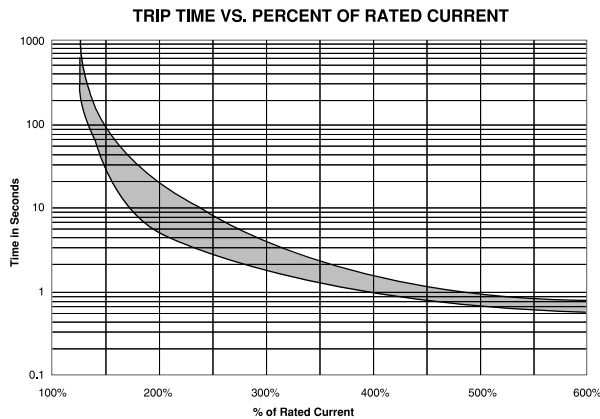
## DIMENSIONS



## MINI FUSE PULLER - PART NUMBER 32002



See page 27 for more information.



## PART NUMBERING SYSTEM

### Series



211 – Type I, 14VDC  
212 – Type II, 14VDC

### Rating



05 – 5 amps  
75 – 7.5 amps  
10 – 10 amps  
15 – 15 amps  
20 – 20 amps  
25 – 25 amps  
30 – 30 amps



### Marking



00 – Std. Marking  
(Consult Factory for Special Marking Options)

### Special Options



(Consult Factory for Special Options)